

~~CONFIDENTIAL~~
 DAILY SITREP JOURNAL OF DUTY LOG

Page No 1 No Pages 4

Org or Installation S-2/S-3 4th Bn 3d Inf AVDF-BARK	Location LZ SAN JUAN BS635382	Period Covered			
		From	To		
		Hour	Date	Hour	Date
		0001	5 Aug 69	2100	5 Aug 69

Item No	TIME		Incidents, Messages, Orders, ETC.	Action Taken	In.
	IN	OUT			
01	0001		(U) JOURNAL OPENED.		DJ
02	0100		(U) Bn SITREP neg; loc same.	BDE, DO	DJ
03	0200		(U) Bn SITREP neg; loc same.	BDE, DO	DJ
04	0300		(U) Bn SITREP neg; loc same.	BDE, DO	DJ
05	0400		(U) Bn SITREP neg; loc same.	BDE, DO	DJ
06	0500		(U) Bn SITREP neg; loc same.	BDE, DO	DJ
07	0600		(U) Rec 4.2 ammo rept.	BDE, DO	DJ
08	0600		(U) Bn SITREP neg; loc same.	BDE, DO	DJ
09	0700		(U) Bn SITREP neg; loc same.	BDE, DO	DJ
10	0800		(C) Bn SITREP neg; loc same except A Co at BS721415 and moving.	BDE, DO	SK
11	0845		(C) A Co at BS725418 fd: 1 US steel pot w/ E-5 stripes and name on sweat band (will be evac to LZ SAN JUAN), 1 supple- ment RPG-7 Charges.	BDE, DO	GC
12	0900		(C) Bn SITREP neg; loc same except A Co PB at BS726418, B Co moving, C Co at BS695378, LRRP team Oregon at BS665468.	BDE, DO	SK
13	1000		(U) Bn SITREP neg; loc same except C Co moving; neg contact with LRRP tm Oregon.	BDE, DO	SK
14	1020		(C) A Co 2nd plat at BS726418 fd: 1 ruck sack, 1 plastic gas mask w/ Russian filters; 3d plat at BS729418 fd 3 82 mm mortar rds.		

Typed Name and Grade of Officer/Official on Duty	Signature GROUP 4
	Downgrade at 3 yr intervals
	Declassified after 12 yrs.

DAILY STAFF JOURNAL OR DUTY LOG

Page No 2 No Pages 4

Org or Installation S-2/S-3 4th Bn, 3d Inf AVDF-BARK	Location LZ SAN JUAN BS635382	Period Covered	
		From	To
		Hour Date	Hour Date
		0001 5 Aug 69	2400 5 Aug 69

Item No	TIME		Incidents, Messages, Orders, ETC.	Action Taken	In.
	IN	OUT			
14	Cont'd		several docs and a grave w/ body less than 24 hrs old appearantly killed by 4.2.	BDE, DO	SK
15	1100		(U) Bn SITREP neg; loc same; neg contact w/ C Co.	BDE, DO	SK
16	1100		(C) C Co at BS697377 fd a fresh-cut trail that had been used very recently, pr black pajamas was hung near trail drying.	BDE, DO	SK
17	1200		(U) Rec rept fr MINH LONG and BA TC, see S-2.	BDE, DO, BN S-2	SK
18	1200		(C) Bn SITREP neg; loc same except B Co 2nd plat at BS625442, 3d plat at BS626449, C Co PB at BS696380.	BDE, DO	SK
19	1205		(C) B Co 2nd plat at BS625442 fd 5 hootches, 2 tunnels, potatoes and corn fields not recently worked; 3d plat at BS626449 fd sleeping pos for 4-5 pers which had been used in past few days.	BDE, DO	SK
20	1300		(U) Bn SITREP neg; loc same.	BDE, DO	AH
21	1320		(C) B Co 2nd plat at BS625442 fd: VC re-supply list, 1 rock hootch 2 - 3 dyas old, 1 NVA pack, 2 pr black pajamas, old campsite for 1-5 personnel; 3d plat at BS626449 campsite 1-3 days old, bamboo freshly cut, 5 gal can fish oil for cooking.	BDE, DO	AH

Typed Name and Grade of Officer/Official on Duty Signature

DAILY STATE JOURNAL OR DUTY LOG					Page No	No Pages
Org or Installation			Location		Period Covered	
S-2/S-3 4th Bn, 3d Inf			LZ SAN JUAN		3	
AVDF-BARK			BS635382		4	
			From		To	
			Hour	Date	Hour	Date
			0001	5 Aug 69	2400	5 Aug 69
Item No	TIME		Incidents, Messages, Orders, ETC.	Action Taken	In.	
	IN	OUT				
22	1400		(C) Bn SITREP neg; loc same except B Co 2nd and 3d plat closed on PP, C Co 2nd and 3d plat at BS695377, LRRP tm OREGON at BS722466.	BDE, DO	AH	
23	1445		(C) A Co 1st plat at BS722417 fd: 1 NVA pack, 1 57 recoilless rifle rd, 1 medical kit, 2 AK-47 mags, 2 NVA shovels, 2 ruck sacks, 2 chicom grenades, 77 rds of AK-47 ammo, 3 82 mm mortar rds, 1 NVA pick.	BDE, DO	AH	
24	1500		(C) Bn SITREP neg; loc same except B Co 1st plat at BS639445.	BDE, DO	HB	
25	1600		(C) Bn SITREP neg; loc same except A Co NDP at BS673416, B Co moving at BS641430; neg contact with LRRP tm.	BDE, DO	HB	
26	1700		(C) Bn SITREP neg; loc same except B Co NDP at BS641430, C Co NDP at BS696380, LRRP tm NDP at BS665466.	BDE, DO	HB	
27	1800		(U) rec rept fr MINH LONG and BA TO, see Bn S-2 files.	BDE, DO, Bn S-2	HB	
28	1800		(U) Bn SITREP neg; loc same.	BDE, DO	HB	
29	1900		(U) Bn SITREP neg; loc same.	BDE, DO	HB	
30	2000		(C) Bn SITREP neg; loc same except A Co 1st plat 1st sqd LP at BS735415 3d plat 1st			
Typed Name and Grade of Officer/Official on Duty				Signature		

DAILY SITREP JOURNAL OR DUTY LOG

Page No 4 No Pages 4

Org or Installation	Location	Period Covered			
S-2/ S-3 lth Bn 3d Inf AVDF-BARK	LZ SAN JUAN BS635382	From	To		
		Hour	Date	Hour	Date
		0001	5 Aug 69	2400	5 Aug 69

Item No	TIME		Incidents, Messages, Orders, ETC.	Action Taken	In.
	IN	OUT			
30	Cont'd		sqd LP at BS736416, B Co 2nd plat 1st sqd LP at BS640431 3d plat 1st sqd LP at BS 642429, C Co 2nd plat 1st sqd LP at BS 697380 3d plat 2nd sqd at BS696379.	BDE, DO	HB
31	2100		(U) Bn SITREP neg; loc same.	BDE, DO	HB
32	2200		(U) Bn SITREP neg; loc same.	BDE, DO	HR
33	2300		(U) Bn SITREP neg; loc same.	BDE, DO	HB
34	2355		(U) Bn SITREP neg; loc same.	BDE, DO	DJ
35			(C) LOG SUMMARY: 4-3 Inf continued search and amb ops in the SAN JUAN FCA with D Co and Recon Plat securing LZ SAN JUAN and Cos A, B, and C operating in grid squares BS6741, BS6443, and BS6938. At 1020 hrs A Co at BS726418 fd sev mil items to include docs and 3 82mm mortar rds, see item 14. At 1205 and 1320 hrs B Co at BS625442 fd numerous positions and mil items, see items 19 and 21. At 1445 hrs A Co at BS722417 fd sev items of mil equip including 1 57 recoilless rifle rd, 2 chicca gren, 3 82mm mortar rds and 77rds of AK-47 ammo. There were neg further significant events during the day.		
36	2400		(U) JOURNAL CLOSED		DJ

Typed Name and Grade of Officer/Official on Duty: WILFORD A. PHELPS, MAJ, Inf, S-3
 Signature: *Wilford A. Phelps*

CONFIDENTIAL

Copy 2 of 6 Copies
HQ 4-3 Inf
LZ SAN JUAN (BS635382) RVN
051000 H Aug 69
LLL-4

see item #17

FRAGORD 22-69 to OPCORD 5-69, HQ 4-3 Inf

Reference: Maps, South Vietnam: 1:50,000; 6738I, 6738II, 6738III, 6738IV.

1. Task Organization:

Co A/4-3 Inf	Co D/4-3 Inf Scout Dog Team
Co B/4-3 Inf Recon Plat	Battalion Control B Btry, 6-11 Arty
Co C/4-3 Inf	

2. Mission: 4-3 Inf conduct air movement into eastern area of FCA and conduct offensive search operation jointly with district forces to destroy VC/NVA forces. Annex A (Operations Overlay)

3. Co A:

- a. Secure LZ/PZ vic coord BS730417.
- b. 060730H Aug 69 conduct air movement from PZ vic coord BS730417 to LZ SAN JUAN and assume responsibility for the defense of the hill.

4. Co B:

- a. Continue present mission.
- b. Assume OPCON Recon Plat effective on joining.

5. Co C:

Continue present mission.

6. Co D:

- a. 060730H Aug 69 conduct air movement from LZ SAN JUAN to LZ vic coord BS730417 and search OBJ 1.
- b. Be prepared to receive district forces, on order, conduct joint offensive search.
- c. Be prepared to search OBJ 2; ^{on order} search OBJ 3.

CONFIDENTIAL

GROUP 4
Downgrade at 3 yr intervals
Declassified after 12 yrs

CONFIDENTIAL

7. Recon Plat:

- a. 060730H Aug 69 conduct air movement to LZ vic coord BS632455.
- b. Conduct stay behind ambush patrols in conjunction with Co B's operation.

8. Coordinating Instructions:

- a. Protective masks will be carried.
- b. Direct coordination between elements authorized and directed.
- c. Air movement conducted on A/L frequency 60.60.

Acknowledge.

FERNANDEZ
ITC

Annex A: Operations Overlay

Distribution: B

OFFICIAL:

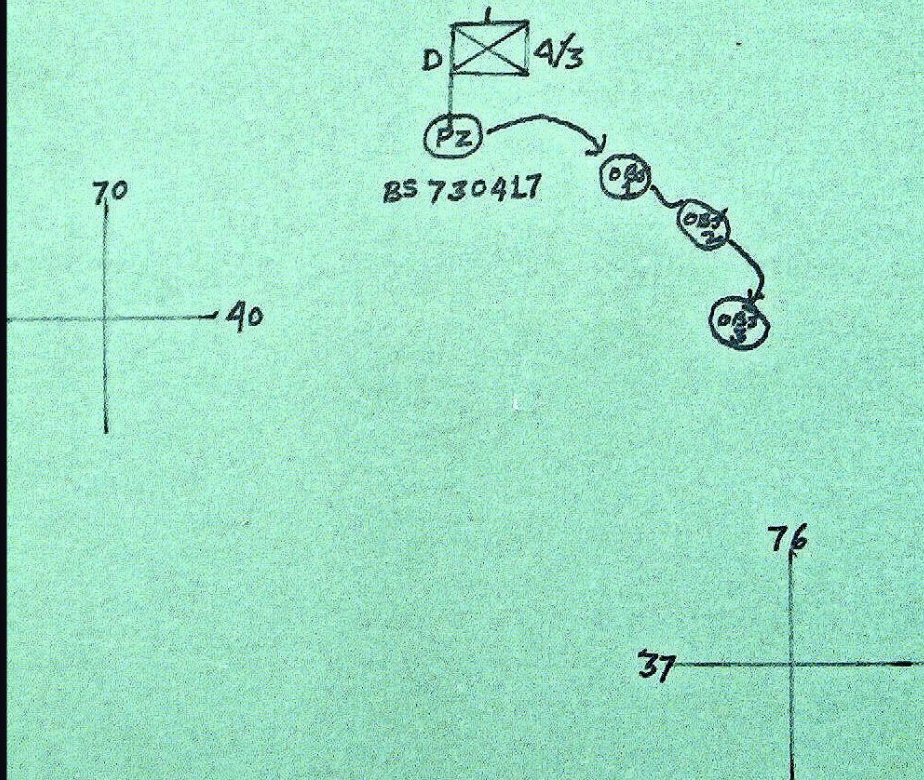
PHELPS
S-3

CONFIDENTIAL

CONFIDENTIAL

Annex A to
FRAGORD 22-69 to OPORD 5-69, HQ 4-3 Inf
Reference: Maps, South Vietnam: 1:50,000;
6738II, 6738III, 6738IV.

Copy 2 of 6 Copies
HQ 4-3 Inf
LZ SAN JUAN (BS635382) RVN
051000 H Aug 69
LLL-4



Acknowledge.

FERNANDEZ
LTC

GROUP 4
Downgrade at 3 yr intervals
Declassified after 2 yrs

OFFICIAL

PHILIPS
E-3

CONFIDENTIAL